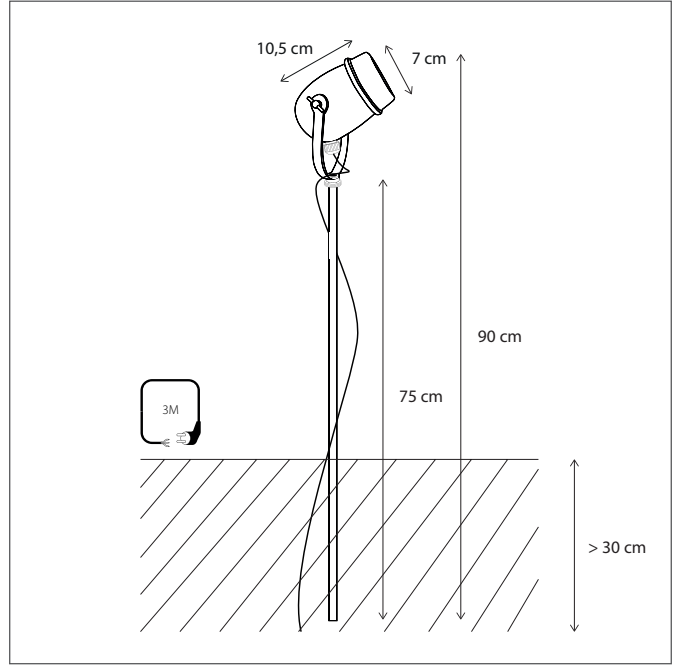


SPIKE I MICRO



For warmer light, add Kelvin Killer® - see accessories.
 For enhanced light dispersion and/or anti-glare effect, add frosted glass filter - see accessories.
 Lamps not included, consult light source guide for our advice.

412



CODE	TYPE	FINISH	WATT	VOLT	FITTING
MIC001005	Micro on pin	Bronze	6	230	GU10
MIC101005	Micro on pin	Brushed nickel	6	230	GU10
MIC201005	Micro on pin	Chrome	6	230	GU10